

400 W. Artesia Blvd.  
Compton, CA 90220  
Fax: (310) 747-3912  
Ph: 1-800-776-0767  
E-Mail: info@procompusa.com  
Website: www.procompusa.com

**Latest Revision:**  
**11.15.2016**



---

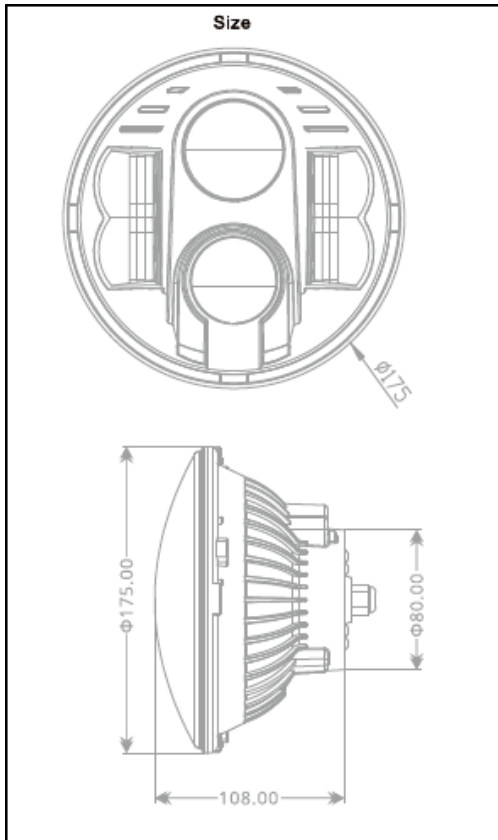
## **PRO COMP SUSPENSION**

**76402P**  
**2007-2017 Jeep JK/TJ/CJ**  
**7" Round LED Headlight Kit**

This document contains very important information that includes warranty information and instructions for resolving problems you may encounter. Please keep it in the vehicle as a permanent record.

<b>Part #</b>	<b>Description</b>	<b>Qty.</b>
	<b>LED HEADLIGHT</b>	<b>2</b>
	<b>LED HEADLIGHT WIRING HARNESS ADAPTER</b>	<b>2</b>

*NOTE: All part images may vary from catalog and instructions.*



**Estimated Installation Time:** 30 minutes

**Tools Needed:** Phillips Screwdriver  
Flat Blade Screw Driver  
T15 Torx Driver

**Input Voltage:** 9V-33V Multi-Volt Design  
Works With Both 12V and 24V Systems.

**Operating Temperature Range:** -40C to 60C  
Connector: Uses Standard H13 Connector, With  
H13 to H4 Converter.

**Over-Voltage Protection:** 600V

## **Introduction:**

- ◆ Before you installed, please check there is no dust or damage on the LED light, (ESPECIALLY ON THE LED BULB), IF YES DO NOT INSTALL ON YOUR VEHICLE.
- ◆ The drivers are waterproof and heat-resistant, but DO NOT attach the drivers on or near hot engine parts.
- ◆ Confirm model of headlight bulb before installation.
- ◆ Disconnect negative battery before removing the original headlight bulb and installing new LED head light.
- ◆ Make sure the LED chips are clean before being installed.
- ◆ DO NOT stare at the LED headlights when turned on.
- ◆ DO NOT touch the LED chips when turned on.
- ◆ After installation check LED lights are working properly and there are no lights illuminated on vehicle's dashboard.
- ◆ Make sure dust covers are correctly installed.
- ◆ Make sure all wiring is routed away from any hot or moving parts.
- ◆ DO NOT overbend the wires.

## INSTALLATION:

1. Be sure you are working on a level surface and set the parking brake.
2. Open the hood and disconnect the negative battery cable.
3. Unplug the **OE** front turn signal wiring harness plugs.



4. Remove the **(6)** **OE** plastic retainers on the top of the **OE** front grill. Carefully, pry the bottom of the grill outward and remove from the vehicle.



5. On the driver's side, remove the **(4)** **OE** screws holding the **OE** headlight in place. Remove the **OE** headlight retainer ring.

***NOTE:** Be careful not to let the headlight fall when the last screw is removed.*

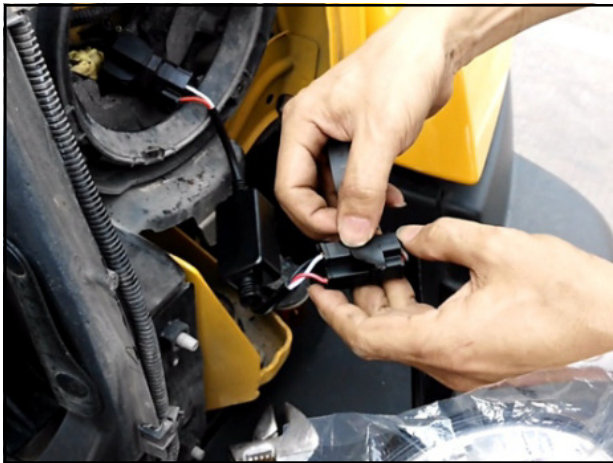


6. While still holding the **OE** headlight, carefully remove the **OE** headlight wiring harness plug from the back of the headlight and remove the **OE** headlight.



7. Connect the new LED headlight wiring harness to the **OE** headlight wiring harness plug.

***NOTE: If ECU does not have halogen lamp detection function, skip this step.***



8. Install the LED headlight, with the arrow facing up, into the **OE** mounting position and secure the previously removed **OE** headlight retainer ring using the (4) previously removed **OE** screws.

***NOTE: Be sure to align the tabs on the LED headlight with the slots in the OE headlight mount.***



9. Torque all hardware to factory specifications.
10. Repeat steps 5 through 10 on the remaining side of the vehicle.
11. Check for correct function of both

the low beam and the high beam on the new LED headlight after installation.

12. Reinstall the previously removed **OE** front grill using the **(6)** previously removed **OE** plastic retainers. Carefully press the bottom of the grill back into place.
13. Reinstall the previously removed **OE** turn signal wiring harness plugs.
14. Reinstall the negative battery cable to the battery.
15. Be sure the vehicle is on a level sur-

face and adjust the newly installed LED headlight beams using the factory manual and specifications.

16. Installation is now complete.



Use this only as a guide for hardware without a called out torque specification in the instruction manual.

<b>Bolt Torque and ID</b>						
<b>Decimal System</b>			<b>Metric System</b>			
All Torques in Ft. Lbs. Maximums						
Bolt Size	Grade 5	Grade 8	Bolt Size	Class 9.8	Class 10.9	Class 12.9
5/16	15	20	M6	5	9	12
3/8	30	45	M8	18	23	27
7/16	45	60	M10	32	45	50
1/2	65	90	M12	55	75	90
9/16	95	130	M14	85	120	145
5/8	135	175	M16	130	165	210
3/4	185	280	M18	170	240	290

<p>1/2-13x1.75 HHCS</p> <p>Grade 5    Grade 8 (No. of Marks + 2)</p> <p>D    T    L    X</p>	<p>M12-1.25x50 HHCS</p> <p>P</p> <p>D    T    L    X</p>
--	--

<p>G = Grade (Bolt Strength)                  D = Nominal Diameter (Inches)                  T = Thread Count (Threads per Inch)                  L = Length (Inches)                  X = Description (Hex Head Cap Screw)</p>	<p>P = Property Class (Bolt Strength)                  D = Nominal Diameter (Millimeters)                  T = Thread Pitch (Thread Width, mm)                  L = Length (Millimeters)                  X = Description (Hex Head Cap Screw)</p>
---	--



## The PRO COMP PROMISE WARRANTY

At Pro Comp, we know you have many choices when selecting products to personalize your vehicle. You should demand nothing but the highest quality available and have total confidence that the products you selected are the best in the industry. It is for these reasons that Pro Comp Suspension products are backed by the best warranty in the industry...the Pro Comp Promise!

Pro Comp promises that its products will last a lifetime or we will replace it free of charge. It's that simple! Because of our commitment to quality and manufacturing excellence, we are able to stand behind our products. FOREVER.

It is Pro Comp's Promise that if one of our suspension products breaks not due to misuse, neglect or vandalism, we will replace it. Whether you are the original purchaser or not, you can be assured that we will make it right. The Pro Comp Promise covers all suspension products including shocks and steering stabilizers. Buy Pro Comp Suspension today and enjoy it for the rest of your life!

That's our Pro Comp Promise!

## Notice to Owner, Operator, Dealer and Installer:

Vehicles that have been enhanced for off-road performance often have unique handling characteristics due to the higher center of gravity and larger tires. This vehicle may handle, react and stop differently than many passenger cars or unmodified vehicles, both on and off-road. You must drive your vehicle safely! Extreme care should always be taken to prevent vehicle rollover or loss of control, which can result in serious injury or even death. Always avoid sudden sharp turns or abrupt maneuvers and allow more time and distance for braking! Pro Comp reminds you to fasten your seat belts at all times and reduce speed! We will gladly answer any questions concerning the design, function, maintenance and correct use of our products.

Please make sure that the Dealer / Installer explains and delivers all warning notices, warranty forms and instruction sheets included with Pro Comp product.

Warranty and Return Policy:

Pro Comp warranties its full line of products to be free from defects in workmanship and materials for the life of the product. Pro Comp's obligation under this warranty is limited to repair or replacement, at Pro Comp's option, of the defective product. Any and all costs of removal, installation, freight or incidental or consequential damages are expressly excluded from this warranty. Pro Comp is not responsible for damages and / or warranty of other vehicle parts related or non-related to the installation of Pro Comp product. A consumer who makes the decision to modify his vehicle with aftermarket components of any kind will assume all risk and responsibility for potential damages incurred as a result of their chosen modifications. Warranty coverage does not include consumer opinions regarding ride comfort, fitment and design. Warranty claims can be made directly with Pro Comp or at any factory authorized Pro Comp dealer.

IMPORTANT! To validate the warranty on this purchase please be sure to mail in the warranty card.

Claims not covered under warranty

\* Parts subject to normal wear; this includes bushings, bump stops, ball joints, tie rod ends and heim joints.

\* Finish after 90 days.

\* Damage caused as a result of not following recommendations or requirements called out in the installation manuals.

Pro Comp MX Series coil-over shocks are considered a serviceable shock with a one-year warranty against leakage only. Rebuild service and replacement parts will be available and sold separately by Pro Comp. Contact Pro Comp for specific service charges. Pro Comp accepts no responsibility for any altered product, improper installation, lack of or improper maintenance or improper use of our products.

E-Mail: [info@procompusa.com](mailto:info@procompusa.com)  
Website: [www.procompusa.com](http://www.procompusa.com)  
Fax: (310) 747-3912  
Ph: 1-800-776-0767

<b>PLACE</b>
<b>WARRANTY REGISTRATION</b>
<b>NUMBER</b>
<b>HERE:</b> _____