



KC HiLITES

#6308 - WIRE HARNESS (NON-RELAY)

For two lights (55w maximum each)

Thank you for purchasing KC HiLITES products; your satisfaction is very important to us. If you have any questions regarding this product or any other KC HiLITES products, please contact us at (888) 689-5955 or visit kchilites.com.

Parts Included:

(1) Wire Harness, (1) Switch, (6) Wire Ties

1. Mounting Your Lights:

After choosing a location to mount your lights, install and loosely tighten before installing the wiring harness.

2. Wiring Your Lights:

1. Begin by routing the KC wire harness from the battery (or power source) and connect the light leads (DT connectors) to the lights. Next, route the three switch leads (spade connectors) toward the desired switch location.

2. To install the switch, drill a $\frac{3}{4}$ " hole in the desired location to press the switch into.

(**Note:** Do not install switch until you have the switch wires routed to the switch location, and then attach the switch wires accordingly before pressing the switch into the mounting hole). Connect the switch wires as follows: **Black wire** to Ground (brass color) blade, **Red wire** to Load (center) blade, and **Yellow wire** (Supply) to the last blade on the switch.

Complete switch installation and place switch in **Off** position.

3. Next, connect the **Yellow Power** lead (with ring terminal) to the (+) Positive side of the battery or power source. Connect the **Black Ground** lead (with ring terminal) to the (-) Negative side of the battery or chassis ground. Test your lights.

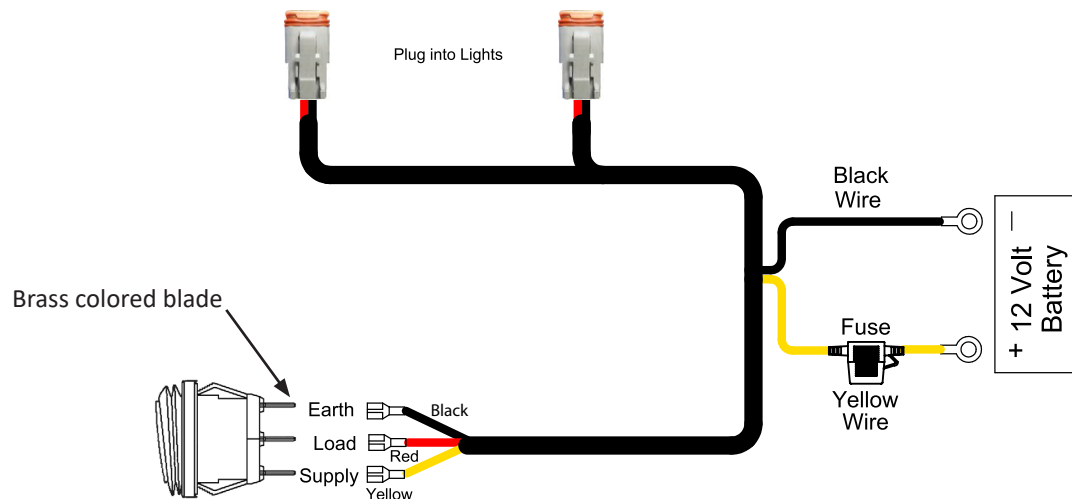
3. Aiming Your Lights:

Fog Lights - aim lights so that the top beam cutoff is below the level of your stock low beams.

Driving Lights - aim so that the intense part of the beam is near the level of your stock high beams.

Spot Lights - aim just above your high beams for maximum distance.

(**Note:** Securely tighten the lights after aiming them.)



Thank you for purchasing KC HiLITES products; your satisfaction is very important to us. If you have any questions regarding this product or any other KC HiLITES products, please contact us at (888) 689-5955 or visit kchilites.com.

Parts Included:

(1) Wire Harness, (1) Switch, (1) Relay, (1) Sheet Metal Screw, (6) Wire Ties

1. Mounting Your Lights:

After choosing a location to mount your lights, install and loosely tighten before installing the wiring harness.

2. Wiring Your Lights:

1. Begin by routing the KC wire harness from the battery (or power source) and connect the light leads (DT connectors) to the lights. Next, route the three switch leads (spade connectors) toward the desired switch location.

2. To install the switch, drill a $\frac{3}{4}$ " hole in the desired location to press the switch into.

(**Note:** Do not install switch until you have the switch wires routed to the switch location, and then attach the switch wires accordingly before pressing the switch into the mounting hole). Connect the switch wires as follows: **Black wire** to Ground (brass color) blade, **Green wire** to Load (center) blade, and **White wire** (Supply) to the last blade on the switch. Complete the switch installation and place switch in the **Off** position.

3. Next, mount the **Relay** close to the battery with blades facing down (sheet metal screw provided). Connect the **Yellow Power** lead (with ring terminal) to the (+) Positive side of the battery. Connect the **Black Ground** lead (with ring terminal) to the (-) Negative side of the battery or chassis ground. Complete the wiring system by connecting the **White** switch power wire to (+) Positive battery, fuse box or other power source. **The system will not work without powering the white wire.**

3. Aiming Your Lights:

Fog Lights - aim lights so that the top beam cutoff is below the level of your stock low beams.

Driving Lights - aim so that the intense part of the beam is near the level of your stock high beams.

Spot Lights - aim just above your high beams for maximum distance.

(**Note:** Securely tighten the lights after aiming them.)

